

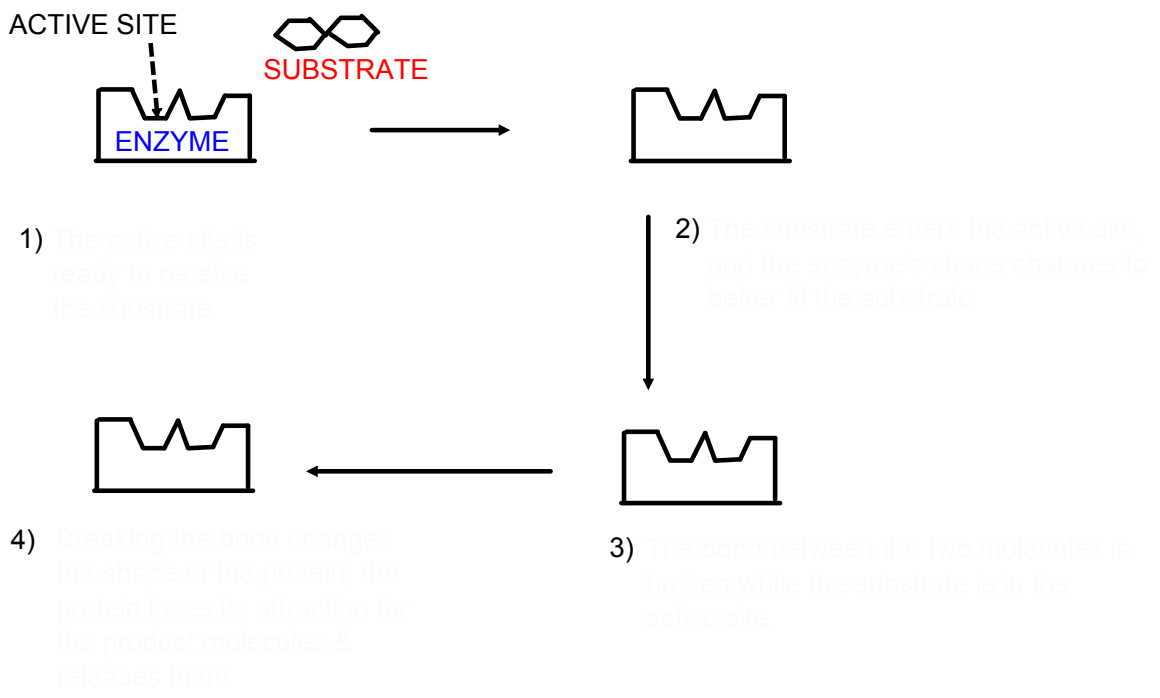
Enzymes

- are proteins; their names often end in ase
- help chemical reactions take place in living organisms
- eg. "burning" sugar; many small reactions controlled by enzymes
- enzymes are not used up in the reaction
- enzymes can be used over and over again
- enzymes are catalysts (a substance that affects a reaction w/o being changed itself)
- the enzyme acts on a molecule called the substrate
- Proteases = enzymes that break down proteins
- Lipases = enzymes that break down lipids/fats



May 4-10:35 AM

The Lock And Key Model of enzyme action



May 4-10:46 AM